

# VARIABLE CONSTRUCTION SYSTEMS

RECTIFIABLE FLOOR

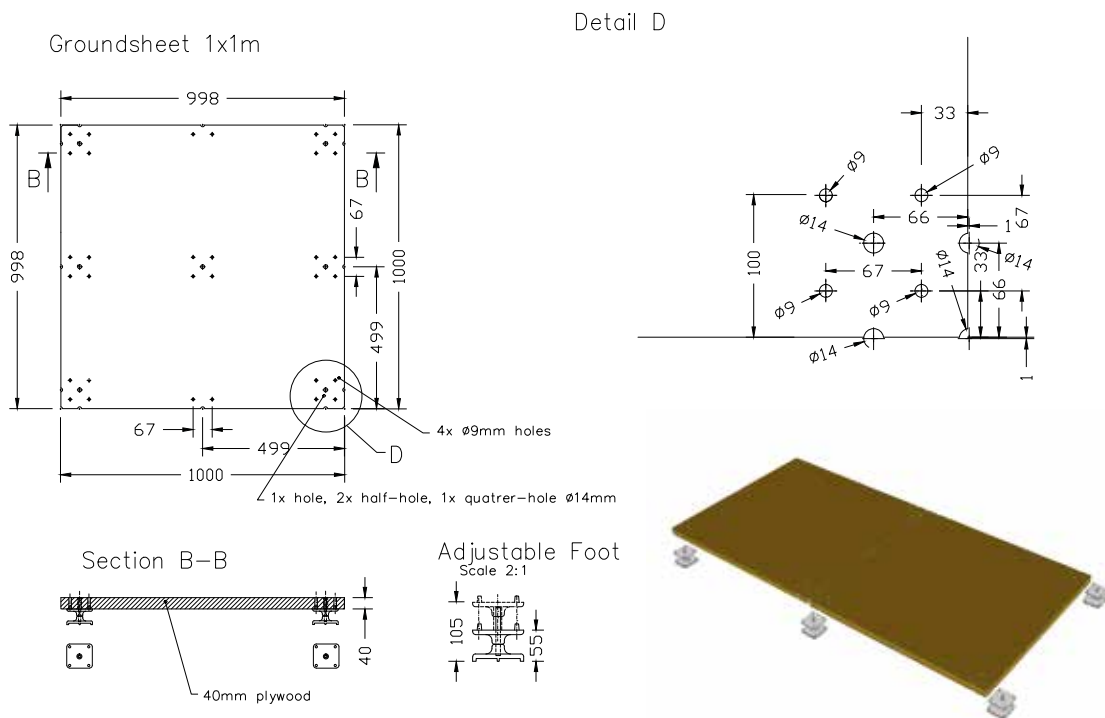
## OUR OFFER

The construction systems are a great solution not only for construction of fair expositions, but also for organization of various social events requiring high quality background – treated surfaces, roofing and installation of systems and equipment.

### MAIN BENEFITS

- > Speed of assembly and disassembly
- > Simplicity
- > Safety
- > Variability of possible applications

## TECHNICAL SPECIFICATION



# RECTIFIABLE PODIUM

WITH LOAD CAPACITY UP TO 1,000 kg/m<sup>2</sup>

<p>&gt; TOTAL AVAILABLE PODIUM AREA 4.500 m<sup>2</sup></p>		<p>&gt; TRANSPORT CAPACITY CCA 750 m<sup>2</sup>/LKW</p>		<p>&gt; SHIPPING WITHIN 2 DAYS UPON ORDER RECEIPT</p>	
		<p>&gt; RECTIFIABLE STEEL NIBS, HOLDING 40 mm PARTICLE BOARD PLACED ON TOP OF THE GROUNDSHEETS</p>		<p>&gt; THE GROUNDSHEETS LAY NEXT TO EACH OTHER IN ALL PERPENDICULAR DIRECTIONS WITH THEIR NIBS SHARED BY THE NEIGHBOURING GROUNDSHEETS. THE OUTER NIBS OF THE PODIUM PERIPHERAL GROUNDSHEETS DO NOT OVERLAP THE UPPER PROFILE OF THE PODIUM</p>	
<p>&gt; THEIR OPENINGS IN THE GROUNDSHEETS ENABLE RECTIFICATION OF THE PODIUM TO LEVEL (INCLUDING ALREADY FITTED GROUNDSHEETS)</p>		<p>&gt; HEIGHT ADJUSTABLE NIBS FROM 55 TO 104 mm (THEN THE HEIGHT OF THE UPPER SURFACE OF THE GROUNDSHEETS 95-145 mm) + THE HEIGHT OF THE FINAL SURFACE</p>		<p>&gt; THE NIBS CONTAIN STEEL PINS SECURING THE GROUNDSHEETS AGAINST SIDE MOVEMENT</p>	
<p>&gt; LOAD CAPACITY OF THE GROUNDSHEETS 800 kg OF POINT LOAD TO THE CENTRE OF THE GROUNDSHEET 988x988 mm</p>		<p>&gt; GROUND SHEET DIMS 998x998 mm OR 498x998 mm (WITH 2 mm ASSEMBLY CLEARANCE FOR 1000x1000 mm AND 500x1000 mm MODULE)</p>		<p>&gt; FOR ACCESS TO THE ELECTRIC AND OTHER PLUGS THERE ARE SPECIAL GROUNDSHEETS ENABLING TO CUT OPENINGS (MATERIAL 40 mm PARTICLE BOARD)</p>	
	<p>&gt; TO REACH AN IDEALLY LEVEL SMOOTH SURFACE (UNDER THE CARPET) WE RECOMMEND TO FIT AN ADDITIONAL 22 mm OSB OR 18 mm PARTICLE BOARD TO THE UPPER SURFACE OF THE PODIUM</p>				

Rent price from 10 EUR/m<sup>2</sup> (height adjustable nibs and groundsheets, manipulation OUT/IN), price does not include transport and VAT.